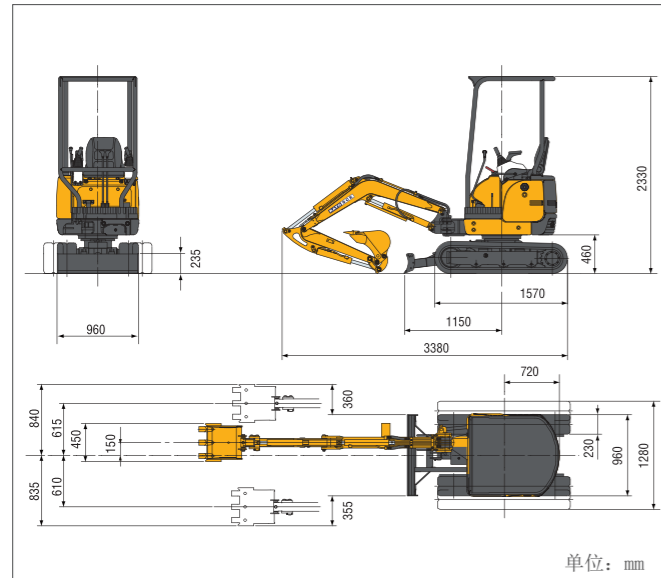
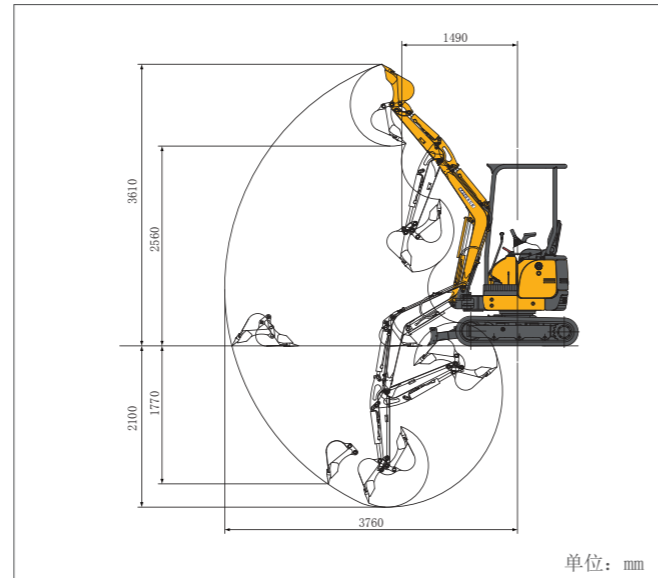


## DIMENSIONS



## WORKING RANGE

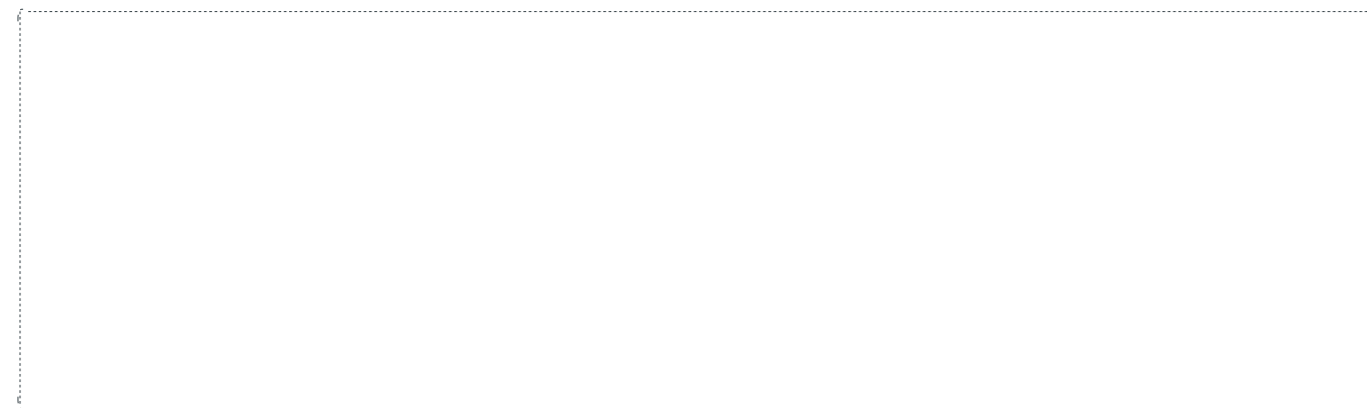


## SPECIFICATION

Performance	Parameter
Model	18VX
Operating weight	1775kg/1815kg
STD. Bucket capacity	0.06m <sup>3</sup>
Engine	
Maker	YANMAR
Model	YANMAR 3TNV70
Rated output	15PS(11kW)/2300rpm
Working Performance	
Swing speed	9.5rpm
Travel speed	2.1/4.0km/h
Gradeability	30°

Performance	Parameter
Max. digging force	16.4kN
Hydraulic System	
Pressure	20.6MPa. 18.1MPa.
Flow	17.2L/min×2+12L/min
Oil Capacity	
Fuel Tank Capacity	20L
Hydraulic oil Capacity	19L
Dozer blade	
Size	960/1280mm×235mm
Height	260mm/325mm

- This booklet is only for promotion, the pictures and contents may differ from the actual objects, and the actual objects shall prevail. The contents and specifications will be subject to change without prior notice.



**KATO SCE** KATOSCE (XIAMEN) CONSTRUCTION MACHINERY CO.,LTD

Address: No.39 Huanzhu Road, North Industrial Area, Jimei District, Xiamen

Website: www.katosce.com

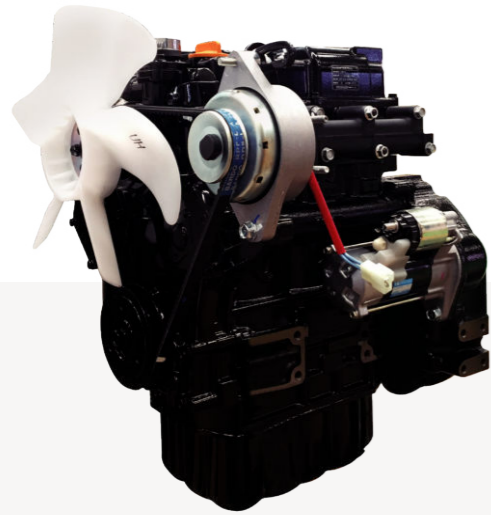


# KATO

# 18VX



## POWERFUL FUEL-EFFICIENT CONFIGURATION



15PS

The YANMAR engine features low fuel consumption, low noise and strong power.



### Tri-pump system

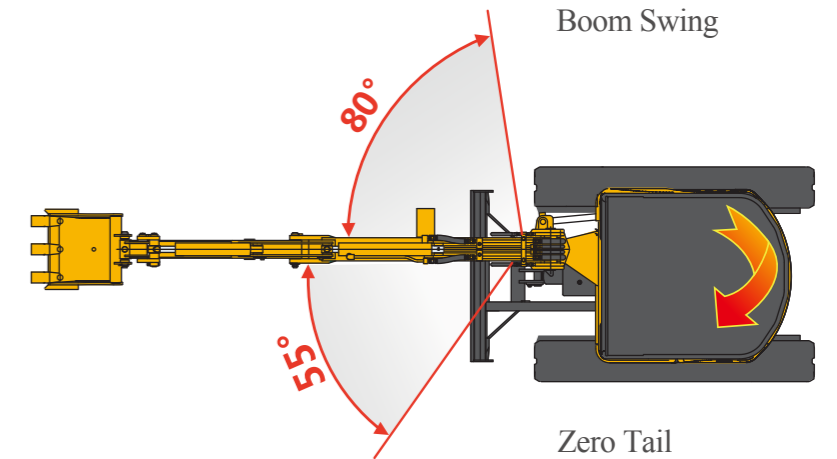
Tri-pump full power control system ideally distribute and utilize the flow, improve and enhance the performance.

IN LINE WITH INTERNATIONAL STANDARDS

## THREE MAIN FUNCTIONS OF MINI-EXCAVATOR

### Extendable undercarriage

This undercarriage design is efficient for transportation and traveling in confined spaces ensuring compactness and high stability.



## EASY MAINTENANCE, STRONG AND RELIABLE

### SAFE COMFORTABLE USER-FRIENDLY



### Wide openable engine cover

The fully openable engine cover provides great access to various components. Daily maintenance such as air filter cleaning, engine oil replacement become easier.

### Removable side cover

Easy to clean radiator.



### Fully versatile easy skimming work

The closer distance between bucket teeth and dozer blade allows it to skim the ground easier.



### Boom swing pin

Single large size pin reduces the wearing and the rattling sounds.



### Reinforced dozer blade

The box-shaped dozer provides higher rigidity.

